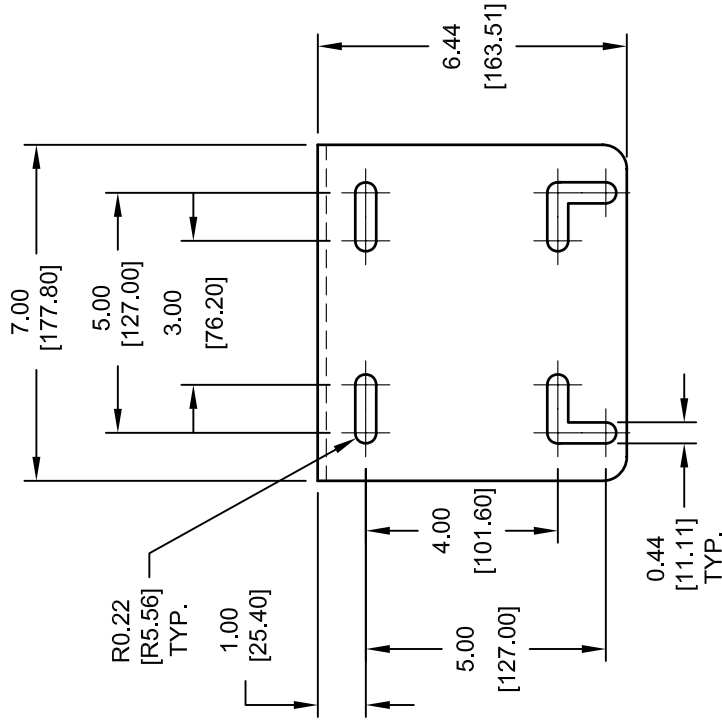
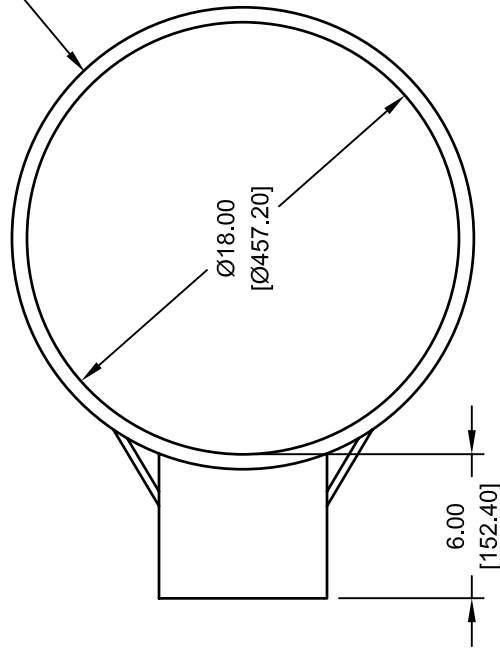
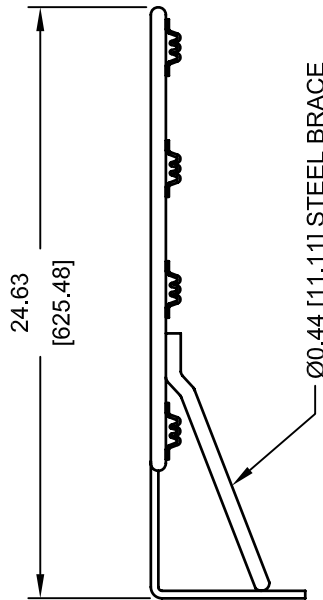


Ø0.62 [15.88] STEEL ROD



MOUNTING PLATE VIEW  
SCALE 2:1



NOTE:  
FINISH - OFFICIAL ORANGE POWDER COAT.  
GOAL IS SUPPLIED WITH NYLON NET AND HARDWARE.

REVISION		
REV.	DATE	BY
A	12/01/03	JJC
B	12/20/06	WAE
C	04/21/08	RWP




**Gared Holdings, LLC**  
9200 E. 146th St. Noblesville, IN 46060

THIS DOCUMENT CONTAINS TRADE SECRET AND OTHER MATERIALS WHICH ARE PROTECTED BY CONFIDENTIALITY NOTICE AND AGREEMENT AND BY COPYRIGHT. ANY USE OR COPYING OF THIS DOCUMENT EXCEPT AS AUTHORIZED BY GARED HOLDINGS, LLC IS STRICTLY PROHIBITED.

STATIONARY FRONT MOUNT GOAL			
DRAWN	CONNERLEY	DATE	05/07/03
APPROVED	JJC	DATE	05/07/03
FILE LOC.	Q:\Final Release\Specifications		DWG. NO.
SIZE	SCALE	SHT. NO.	PART NO.
A	NONE	1 OF 1	39WO
			REV
			C



## **MODEL 39WO**

### **STATIONARY FRONT MOUNT GOAL**

Goal shall be constructed with an official sized 18" ring of 5/8" diameter steel with twelve continuous no-tie net attachments. Back plate shall be 3/16" thick and 6 7/16" x 7". Brace shall be 7/16" diameter all welded construction.

Goal shall have a durable orange powder coated finish and come complete with nylon net and hardware. Universal mounting hole pattern will fit most 42", 48", and fan backboards.

#### **ACCESSORIES**

#### **BACKBOARDS**

Compatible backboards are models 1301B, 1342B, 1370B, 1245T, 1270B, 1272B, 1401B, 1442B, 1750B, RG, AFRG48, and FSGII. See backboard section in specification manual.

Subject to design change and current manufacturing practices.  
Revised April 4, 2008 ©2008 Gared Holdings, LLC