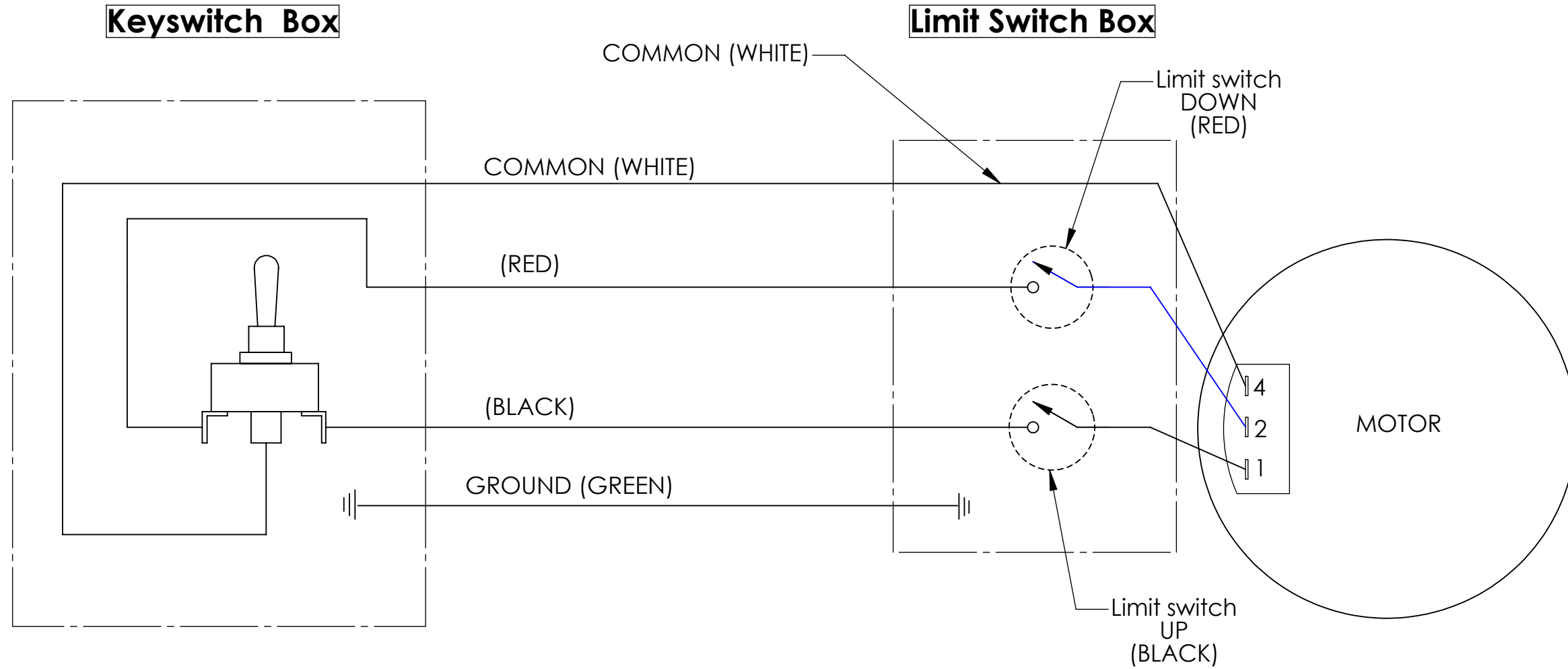


REVISIONS			
REV.	DESCRIPTION	DATE	APPROVED
A-010	Initial release	12/10/03	
2	Changed wiring, direct from limit box to key switch	2/08/12	

## Lynrus QR4 hoist wiring schematic without Pigtail connector



\*TWO KEYSWITCHES TO BE PROVIDED FOR TANDEM OPERATION

COPYRIGHT-LYNRUS ALUMINUM PRODUCTS--ALL RIGHTS RESERVED  
 INFORMATION IN THIS DOCUMENT IS CONFIDENTIAL AND IS THE SOLE PROPERTY OF LYNRUS ALUMINUM PRODUCTS. ANY REPRODUCTION  
 IN PART OR IN WHOLE, OR DELIVERY OF THIS DOCUMENT OR ANY COPY THEREOF OR DISCLOSURE OF SUCH INFORMATION  
 TO UNAUTHORIZED PERSONS IS PROHIBITED.

UNLESS OTHERWISE SPECIFIED DIMENSIONS ARE IN INCHES  TOLERANCES ARE: FRACTIONS DECIMALS ANGLES $\pm 1/32$ .XX $\pm .015$ $\pm 1^\circ$ .XXX $\pm .005$ DO NOT SCALE DRAWINGS	CAD GENERATED DRAWING. PERMANENT UPDATES ARE TO BE MADE IN THE ORIGINAL CAD FILE LISTED.		<b>LYNRUS ALUMINUM PRODUCTS</b> 204 W. 1700 S., SALT LAKE CITY, UT 84115 801-486-8104, FAX 801-486-8106	
	APPROVALS DRAWN Kyle P. RESP ENG.	DATE 2/9/2012	non-pigtail wiring schematic	
	MATERIAL	N/A	CAD FILE: non-pigtail wiring schematic.slddrw	
	FINISH	N/A	SIZE B	PART. NO. N/A
		PROD. MTGM.	REV. 0	SHEET 1 OF 1

A