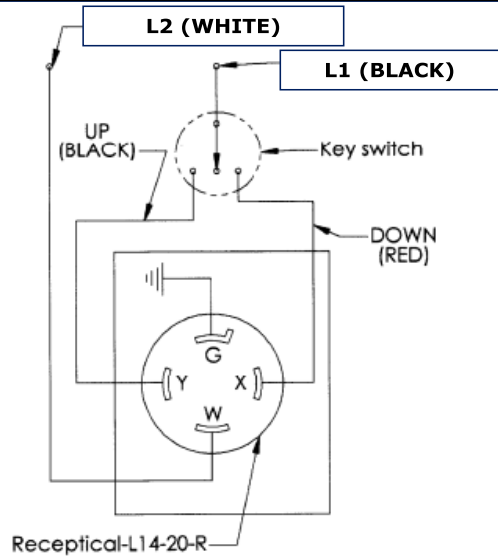


KEY SWITCH TO RECEPTACLE WIRING SCHEMATIC FOR LYNRUS QR4 BACKSTOP WINCH AND CW3 CURTAIN WINCH. CAN BE USED WITH ALL SINGLE PHASE MOTOR TYPES INCLUDING 115 V/220 V



QR4 AND CW3 WIRING SCHEMATIC FOR ALL SINGLE PHASE MOTOR TYPES INCLUDING 115 V/220 V

