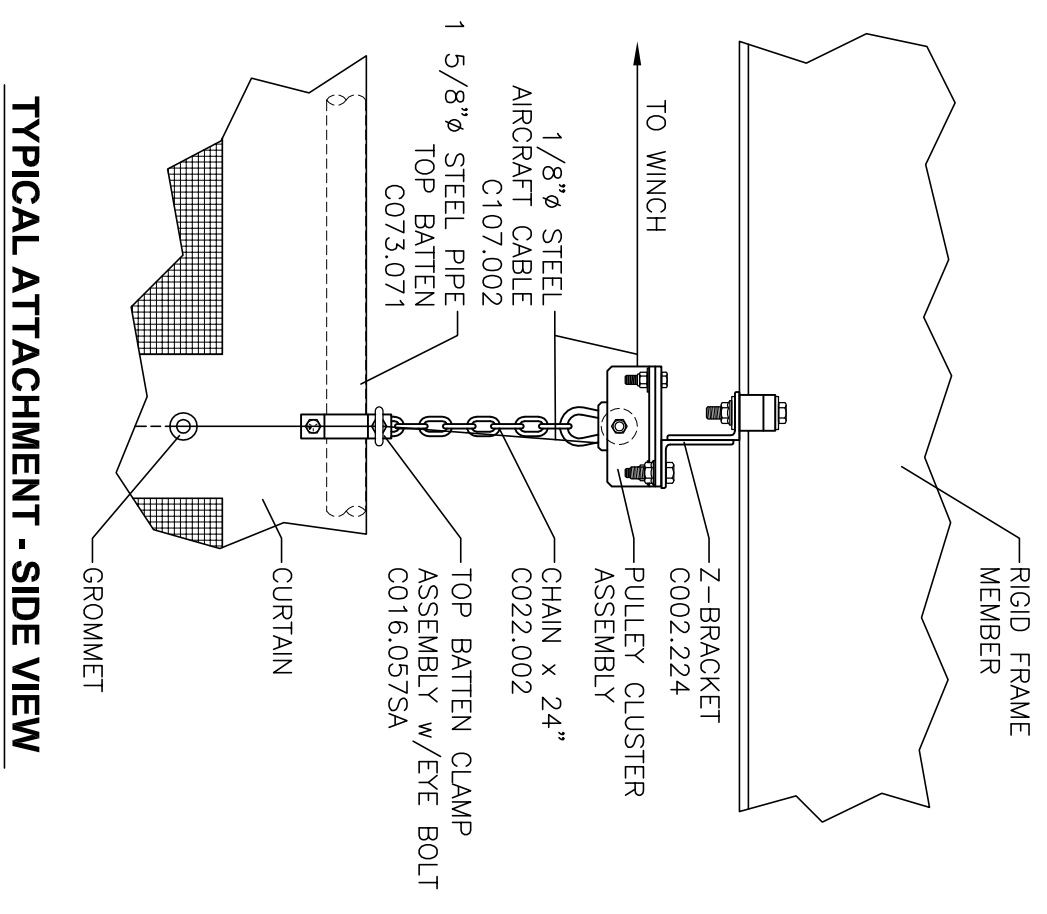


**NOTES**

1. SCALE: 1 1/2" = 1'-0"
2. STRUCTURE SHOWN LEVEL FOR CLARITY.
3. ELECTRICAL WIRING BY OTHERS.
4. WINCH OPERATED BY A KEY LOCKED, 3-POSITION MOMENTARY CONTACT CONTROL STATION.



**TYPICAL ATTACHMENT - SIDE VIEW**