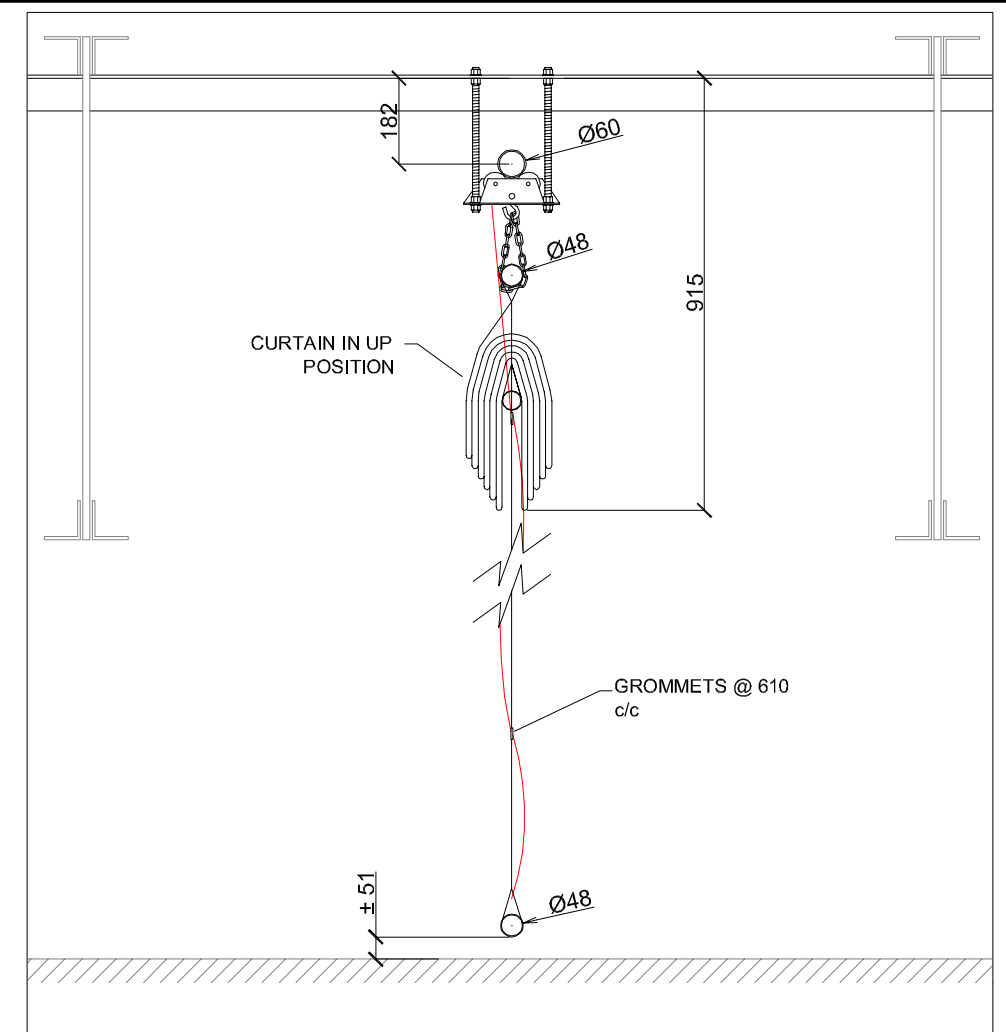
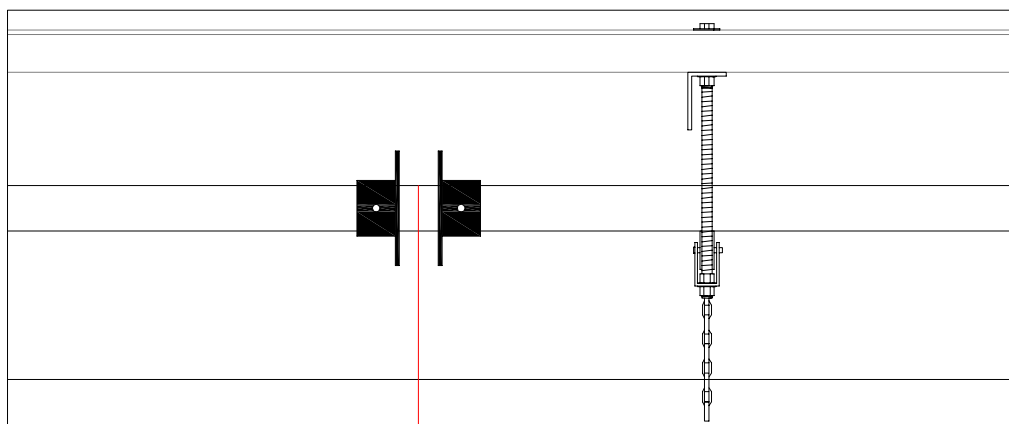


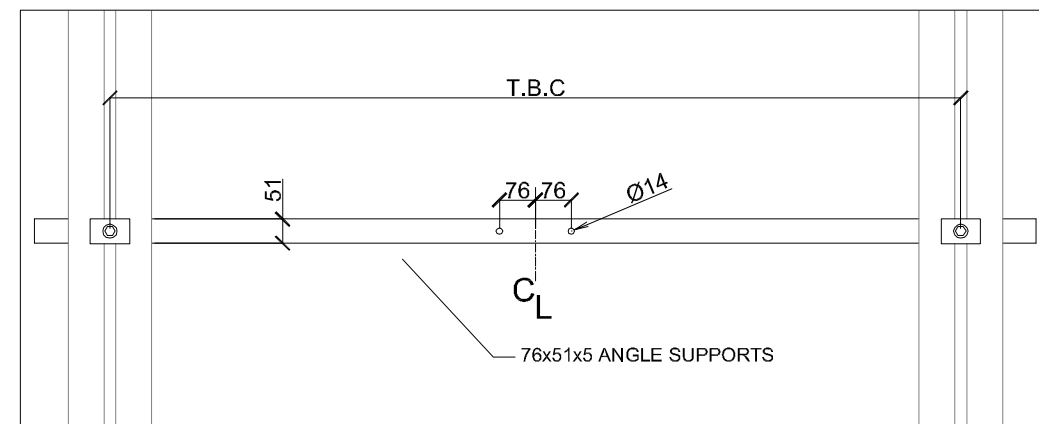
1 FRONT ELEVATION
SCALE 1:100



2 SIDE ELEVATION
SCALE 1:16



3 MECHANICAL DETAIL
SCALE 1:10



4 SUPPORT DETAIL - TOP VIEW
SCALE 1:16

NOTES:

- ELECTRIC WINCH OPERATION (3/4 HP, 115 VOLTS, 11.5 AMPS)
- VINYL & MESH ARE ROT, MILDEW & FUNGUS RESISTANT
- VINYL & MESH ARE FIRE RETARDANT

VINYL COLOUR OPTIONS:

- WHITE, RED, YELLOW, DARK BLUE, MARINE BLUE, MAROON, BEIGE, GREY, BLACK, FOREST GREEN, ORANGE

MESH COLOUR OPTIONS:

- WHITE, RED, YELLOW, GREY, BLACK

GENERAL NOTES:

1. WORK PROVIDED BY OTHERS:
 - 1.1. ELECTRICAL CONNECTIONS & HOOK-UP
 - 1.2. BACKING AND BLOCKING TO WALLS AND/OR CEILING STRUCTURE
 - 1.3. ADEQUATE STRUCTURAL SUPPORT (ROOF STRUCTURE)
 - 1.4. ALL OBJECTS SHOWN (ON THIS DRAWING) AS GREY LINES
2. ARCHITECT & GENERAL CONTRACTOR SHALL COORDINATE LOCATION OF CURTAIN WITH LOCATIONS OF MECHANICAL & ELECTRICAL EQUIPMENT, & ALL OTHER EQUIPMENT POTENTIALLY SUBJECT TO INTERFERENCE WITH CURTAIN
3. CHANGES TO CURTAIN WIDTH WILL AFFECT SUPPORT SPACING
4. HANGING WEIGHT IS APPROXIMATELY 2.5 KG/M²
5. HEIGHT, LOCATIONS, & TYPE OF STRUCTURAL SUPPORTS SHALL BE VERIFIED ON SITE

PRODUCT:

F3100 ELECTRAFOLD DIVIDER CURTAIN

DRAWN BY: S. STRAZZABOSCO

SCALE: AS NOTED (Correct when printing on 11"x17")

DATE:

JOB #:

REV # DATE: DESCRIPTION:

PROJECT:

PROJECT NAME

FORUM
Athletic Products Inc

1-7517 Bren Road Mississauga, ON L4T 3V4

SHEET No:

EDC - 1